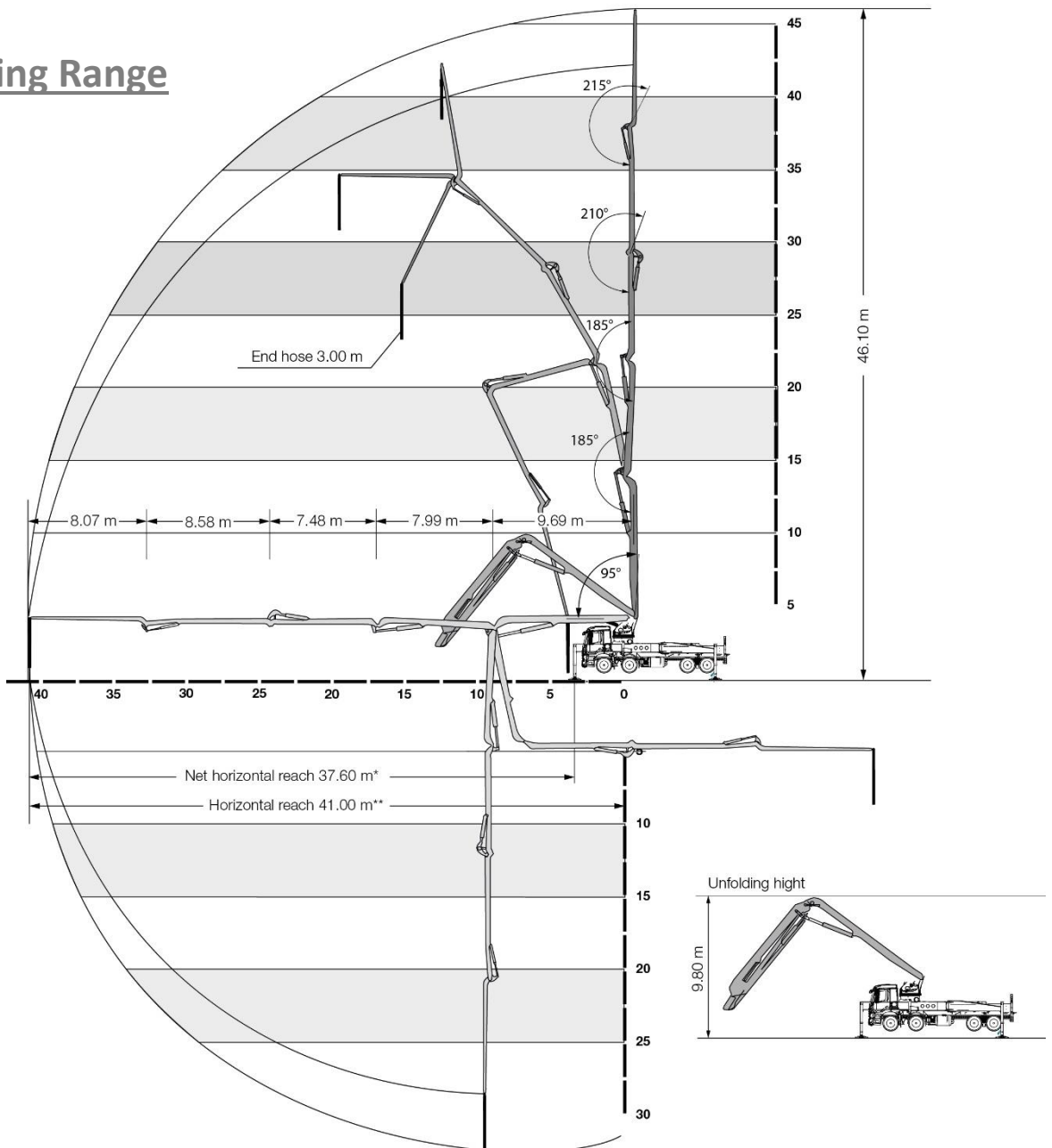


M47

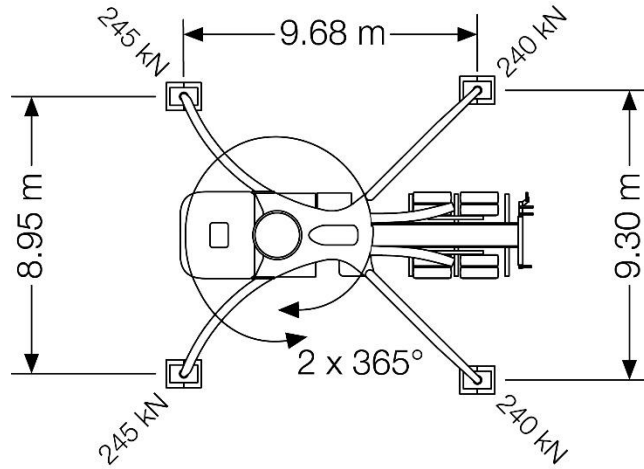


Working Range

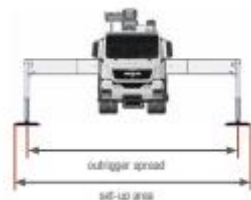
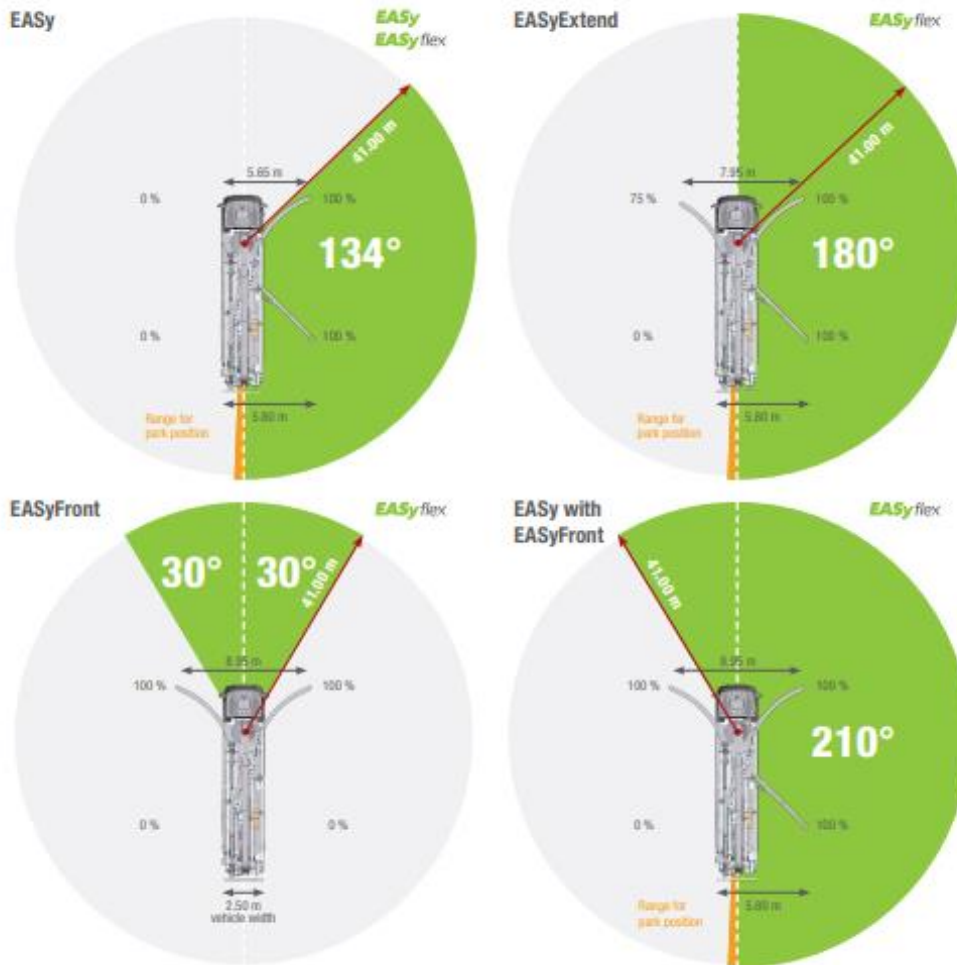


M47

Outrigger Setup & Loadings



Short Rigging Options



The outrigger spreads as specified are measured from the centre of the outrigger leg. Any cribbing or underlay timbers must be taken into account when determining the required set-up area.