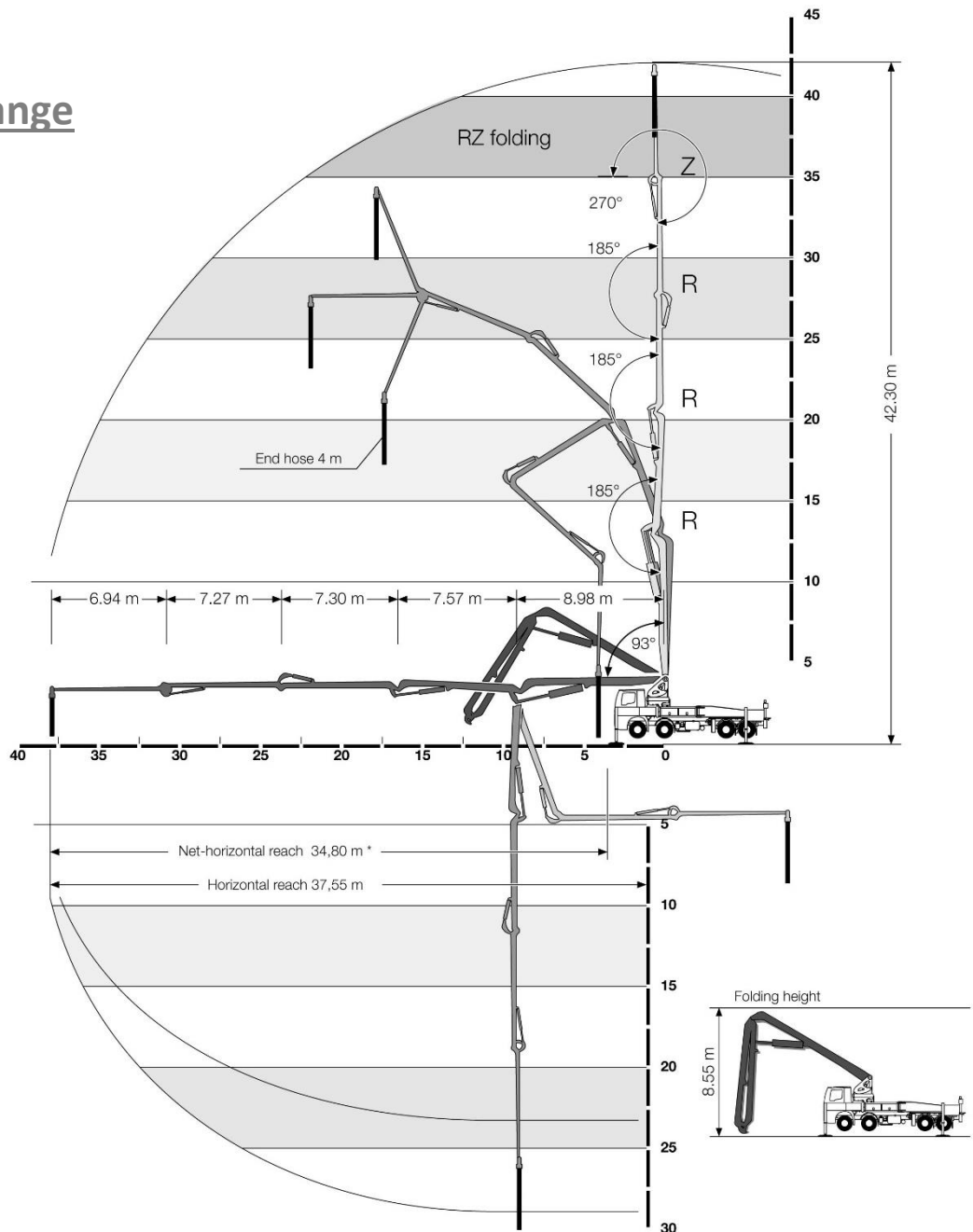


# M43

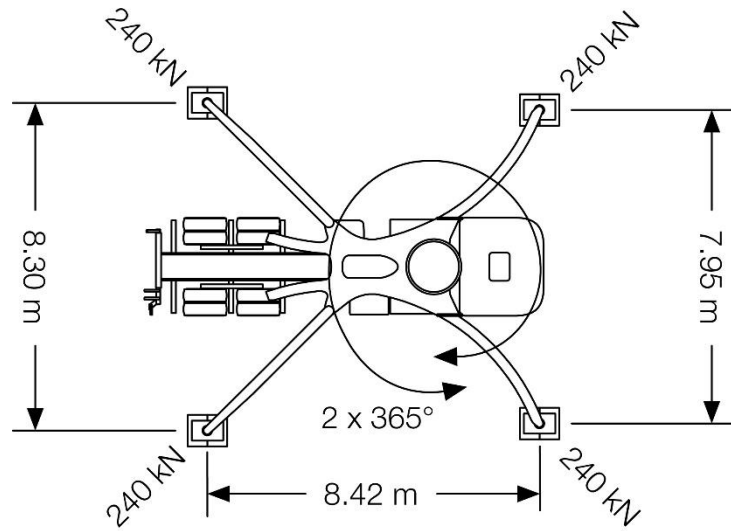


## Working Range

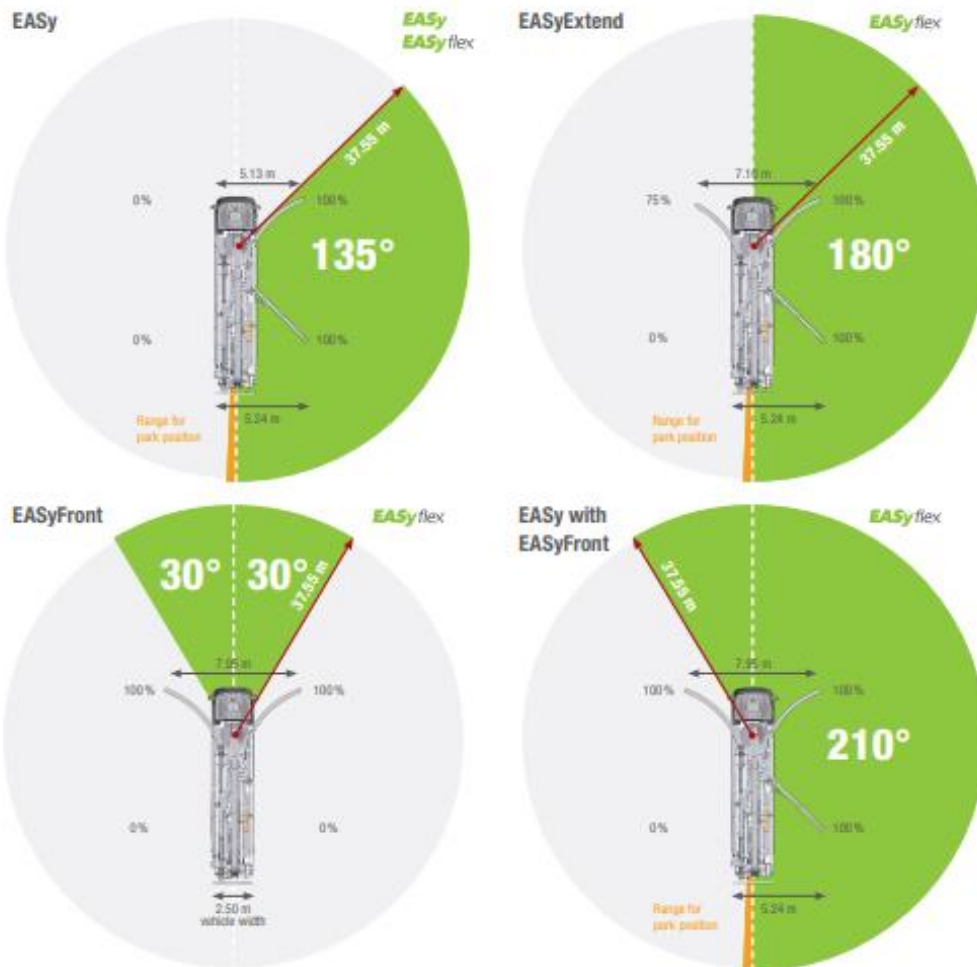


# M43

## Outrigger Setup & Loadings



## Short Rigging Options



The outrigger spreads as specified are measured from the centre of the outrigger leg. Any cribbing or underlay timbers must be taken into account when determining the required set-up area.