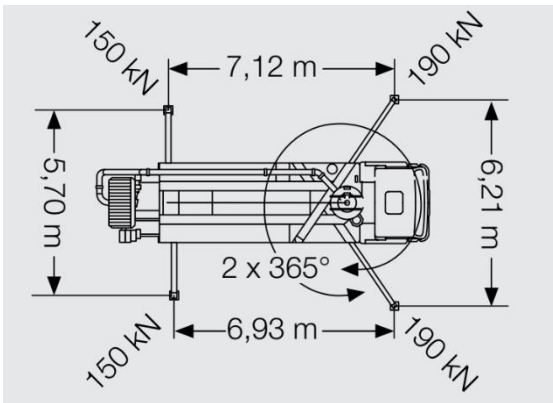


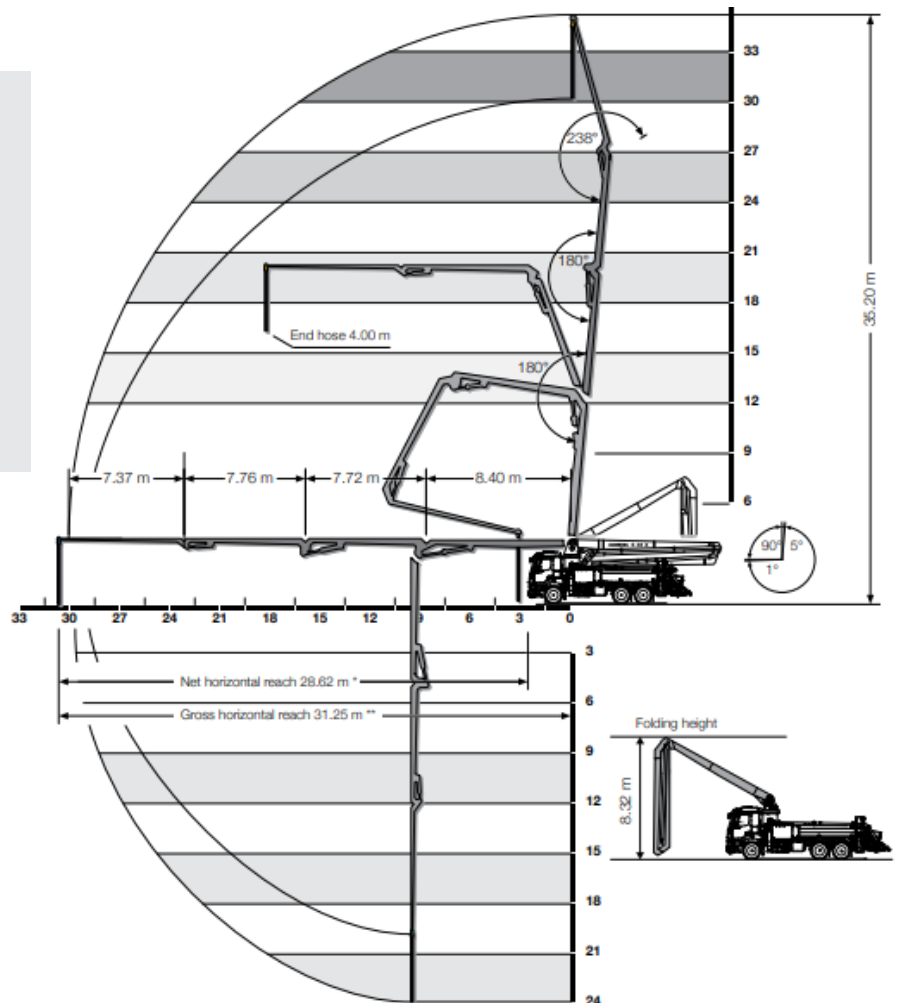
# M36



## Working Range



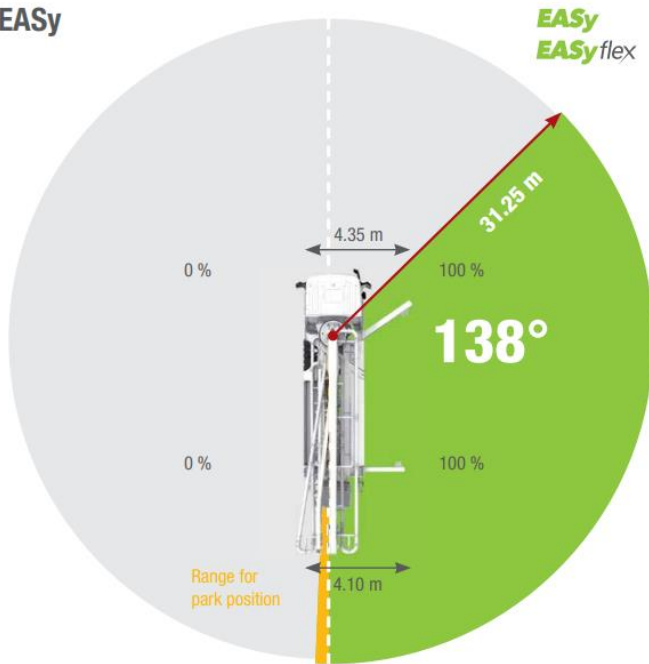
## Outrigger Setup & Loadings



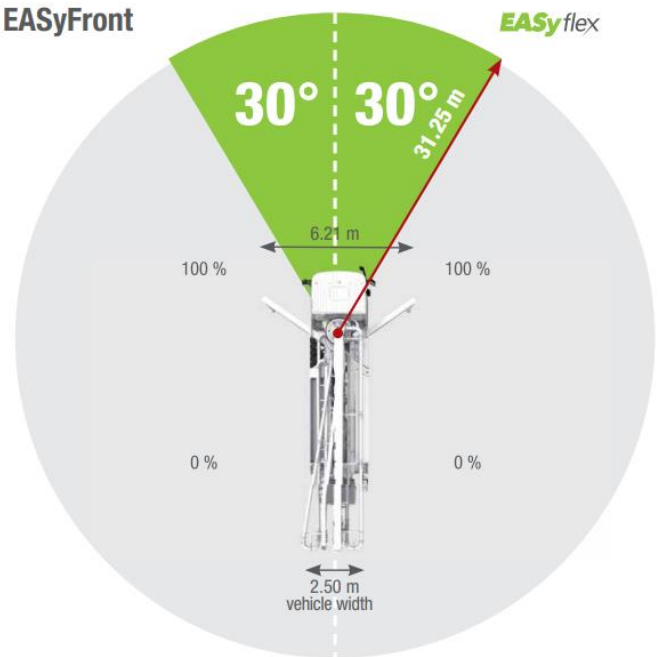
# M36

The outrigger systems EASy and EASyflex extend the range of applications of the S 36 X. With EASy, the concrete pump can be safely supported on one side, if required, thereby covering a working range of 138°. EASyflex provides further outrigger combinations and as such, more flexibility on the jobsite. In this way, pump applications can be achieved with the maximum working safety even in difficult, restricted spaces. More flexibility for more safety.

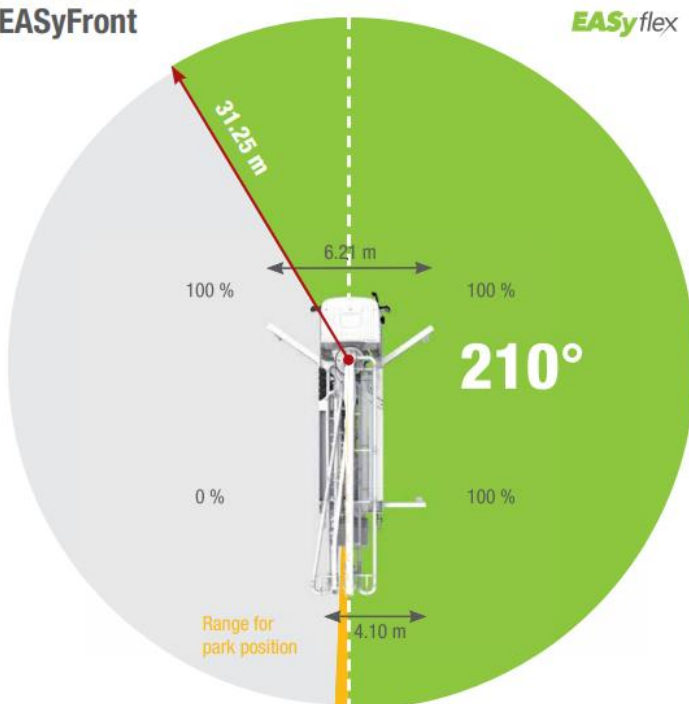
**EASy**



**EASyFront**



**EASy with EASyFront**



# M36



## Info and Measurements

### **Mobile Pump: S 36 X**

**Model:**

**S 36 X**

**Vertical Reach (m):**

**35.2**

**Horizontal Reach (m):**

**31.25**

**Number of Articulations:**

**4**

**Front Support Width (m):**

**6.98**

**Rear Support (m):**

**6.4**

**End Hose Length (m):**

**4**

**Slewing Range (degrees):**

**740**

**Fold Type:**

**Roll**

**Fold Out Height:**

**8.8**

**Pipe Diameter:**

**DN 125**

**Num Axles:**

**3**

**Pump:**

**P2023**